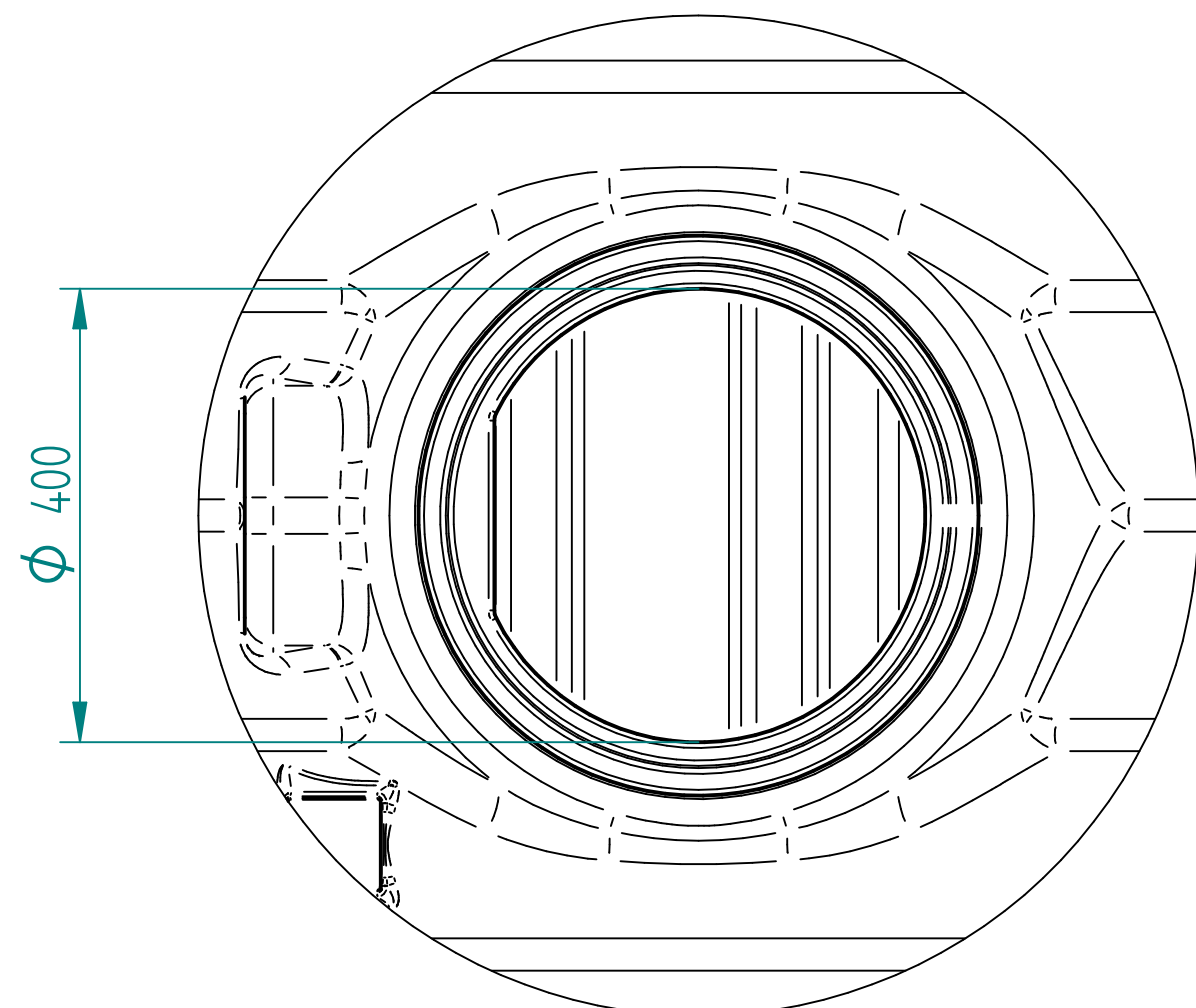
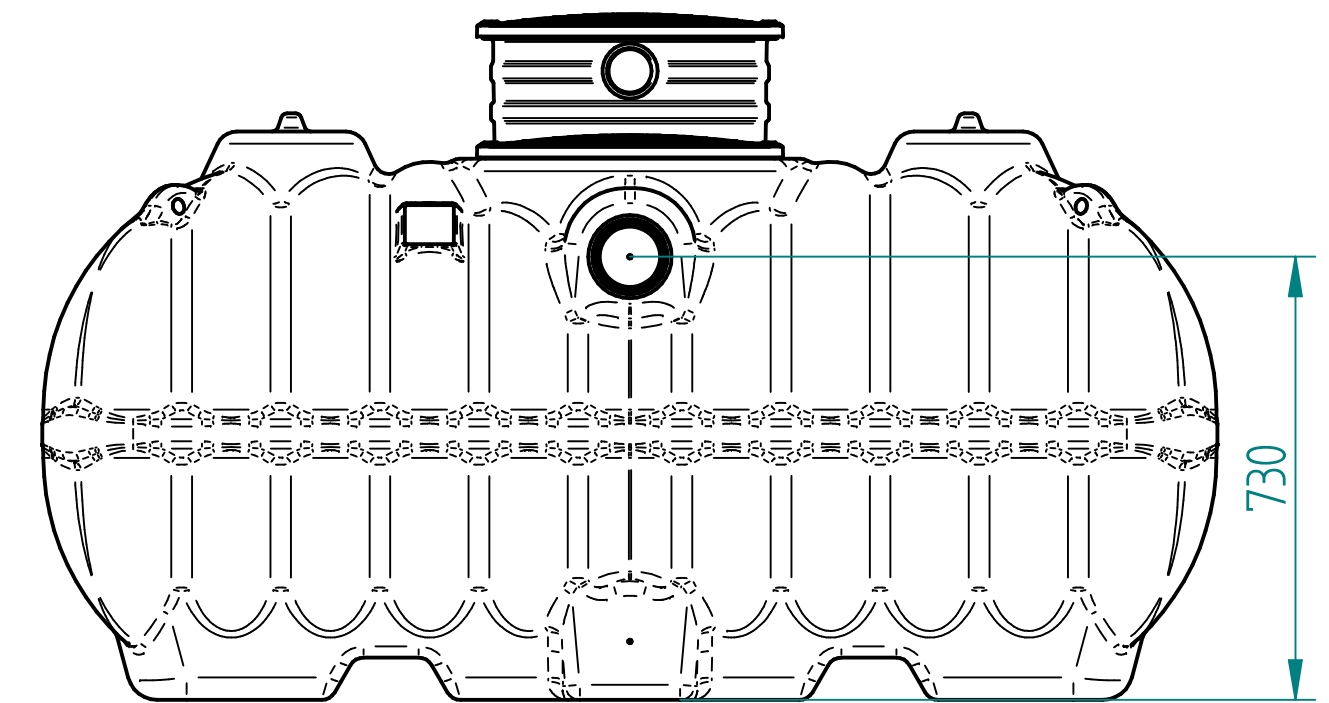
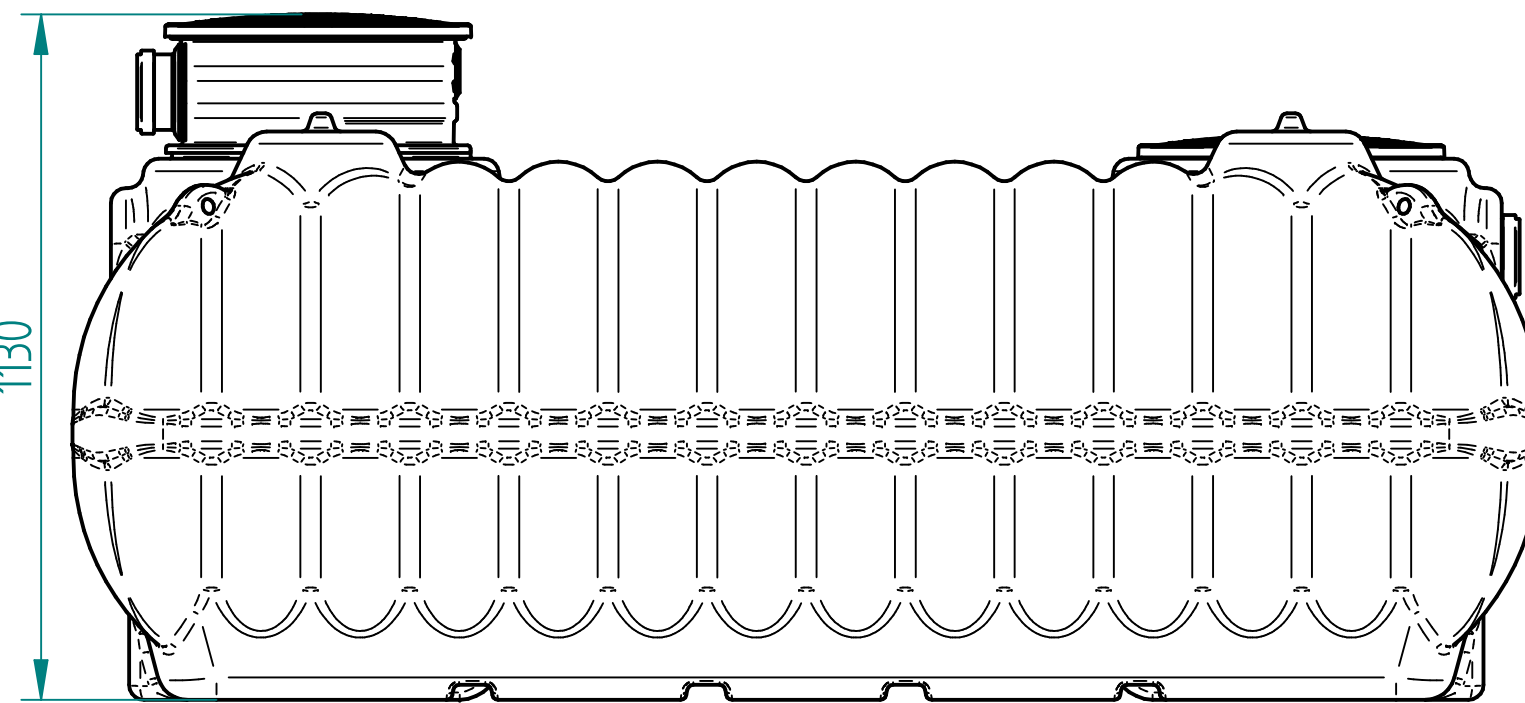
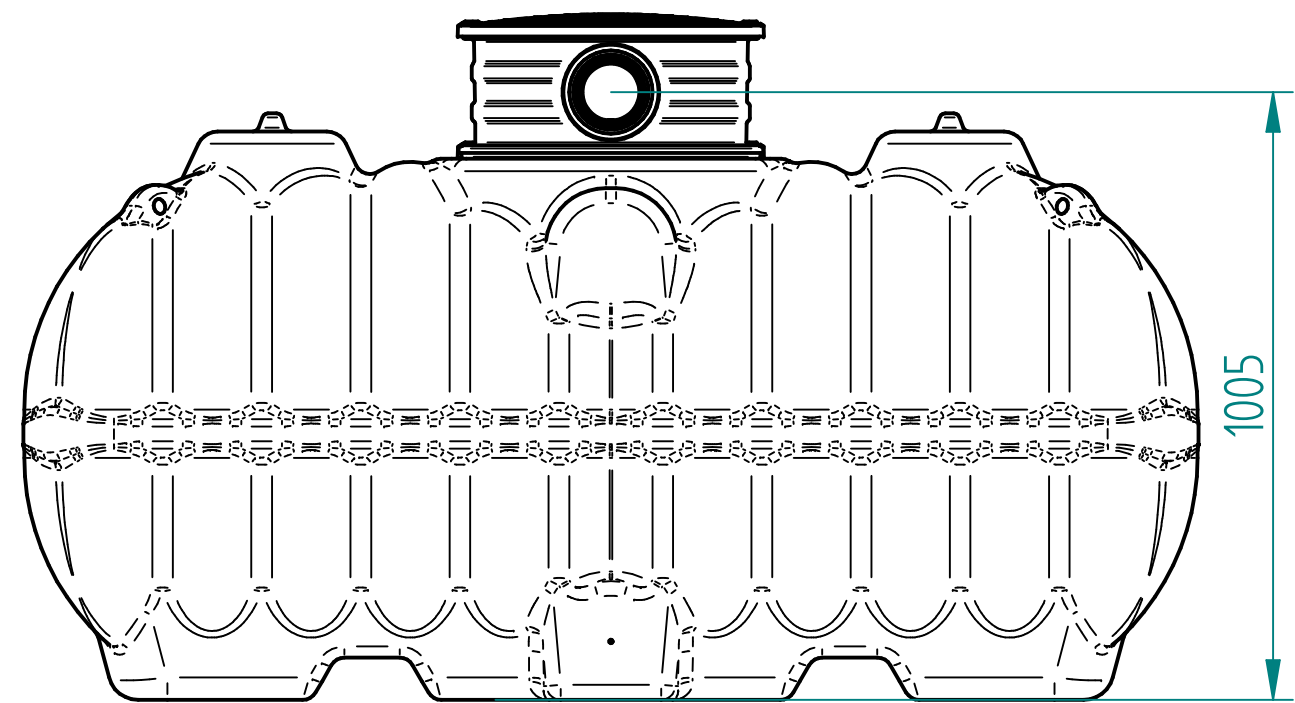
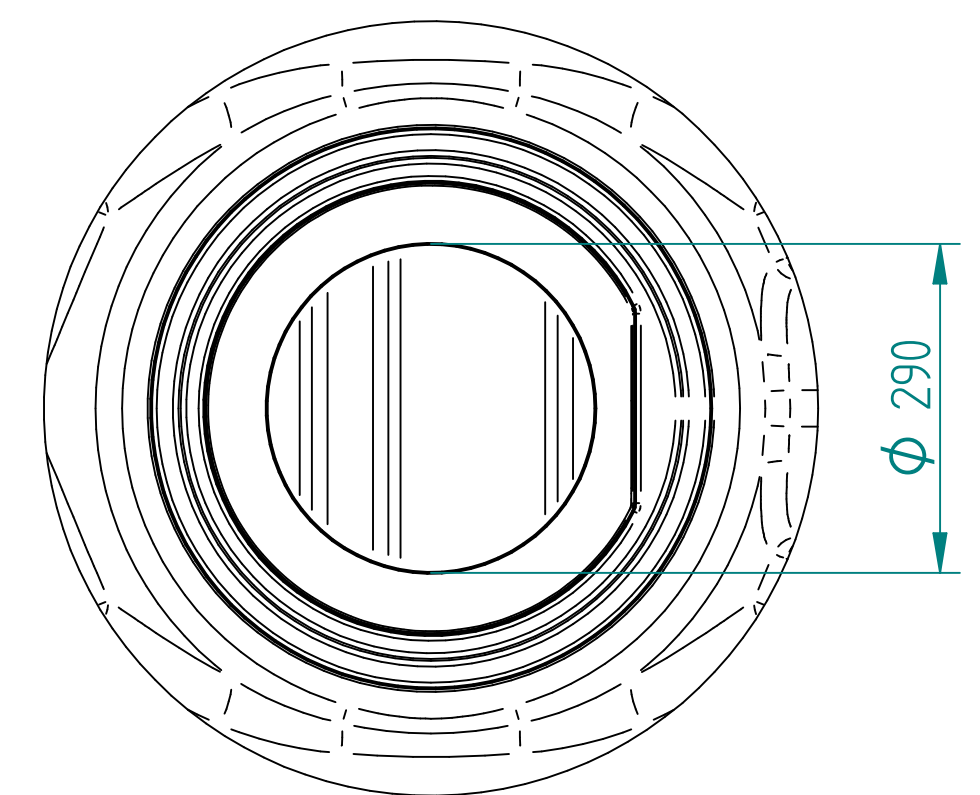
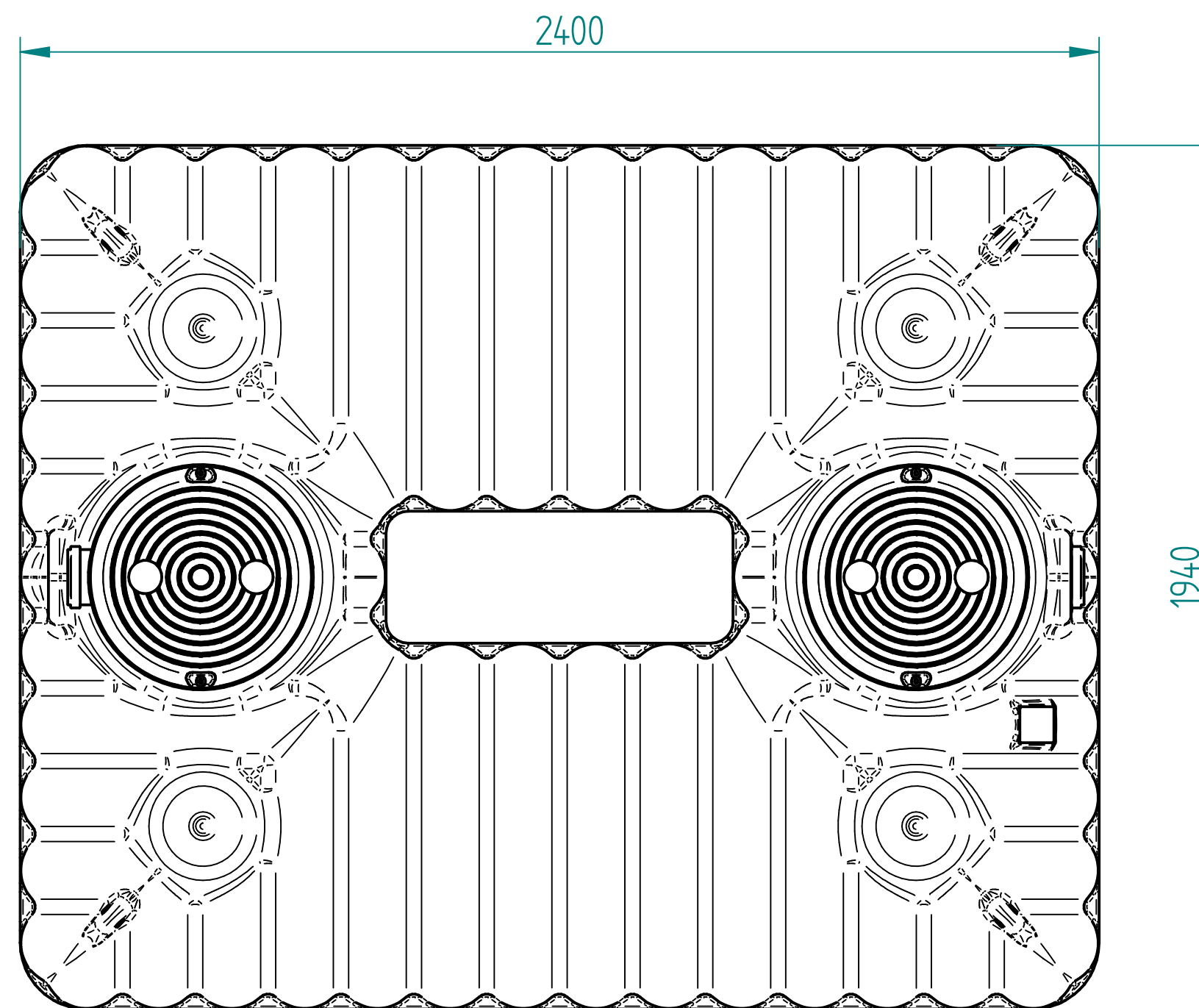


Rys. tech. 1 Zbiornik BOLT 3000 D do magazynowania wody deszczowej

REVISION HISTORY			
REV	DESCRIPTION	DATE	APPROVED



DETAIL A



DETAIL B

DRAWN	NAME	DATE	Solid Edge	
CHECKED	PiotrD	02/03/22		
ENG APPR				
MGR APPR				
UNLESS OTHERWISE SPECIFIED DIMENSIONS ARE IN MILLIMETERS ANGLES ±XX° 2 PL ±XXX 3 PL ±XXXX			SIZE A2	DWG NO
			FILE NAME: BOLT 3000 D.dft	REV
			SCALE:	WEIGHT:
			SHEET 1 OF 1	